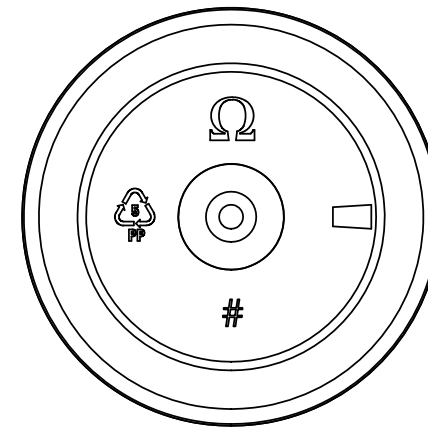
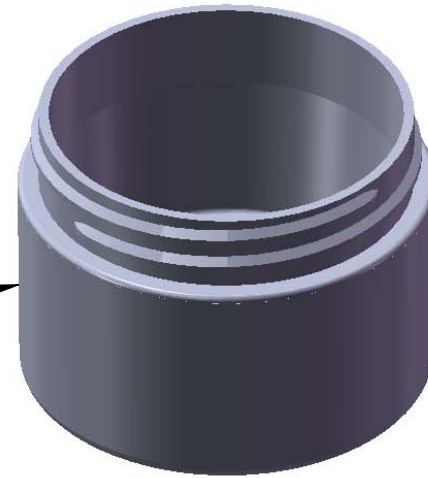


"FROSTED"  
Texture  
Finish



Bottom  
View

Notes:

1. Material: Polypropylene (PP)
2. Weight: Approx 15 grams
3. Overflow Capacity: Approx 54 cc
4. Thread: 6 TPI
5. Printable / Label area:  
6.63" wraparound x 0.88" height  
(labels should account for 1/2° wall taper)
6. Omega Part # 3450

DIMENSION	TOLERANCE
.00	.015
.000	.010



15210 Desman Rd.  
La Mirada, CA 90638  
(714) 670-6400  
omegapkg.com

PROPRIETARY AND CONFIDENTIAL  
THE INFORMATION CONTAINED  
IN THIS DRAWING IS THE SOLE  
PROPERTY OF OMEGA PKG.  
ANY REPRODUCTION IN PART OR  
AS A WHOLE WITHOUT THE  
WRITTEN PERMISSION OF OMEGA  
PACKAGING IS PROHIBITED.

REVISION	DATE
LAST IR	DATE 4/14/14

<b>1oz 53mm Straight Base FROSTED Double Wall Jar</b>	
DWG. NO. 3450-1-53-SB-DWJ	SCALE 1:1