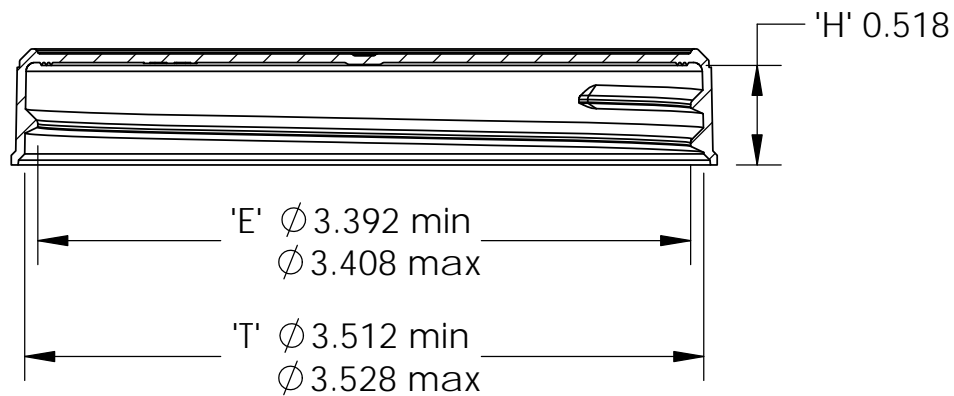
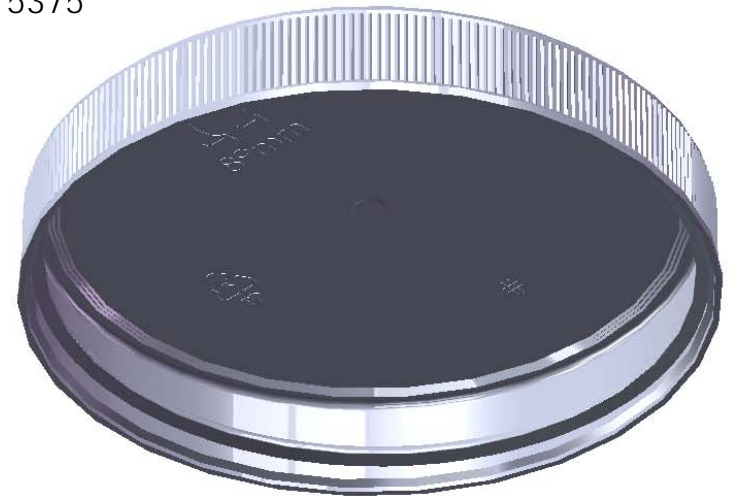
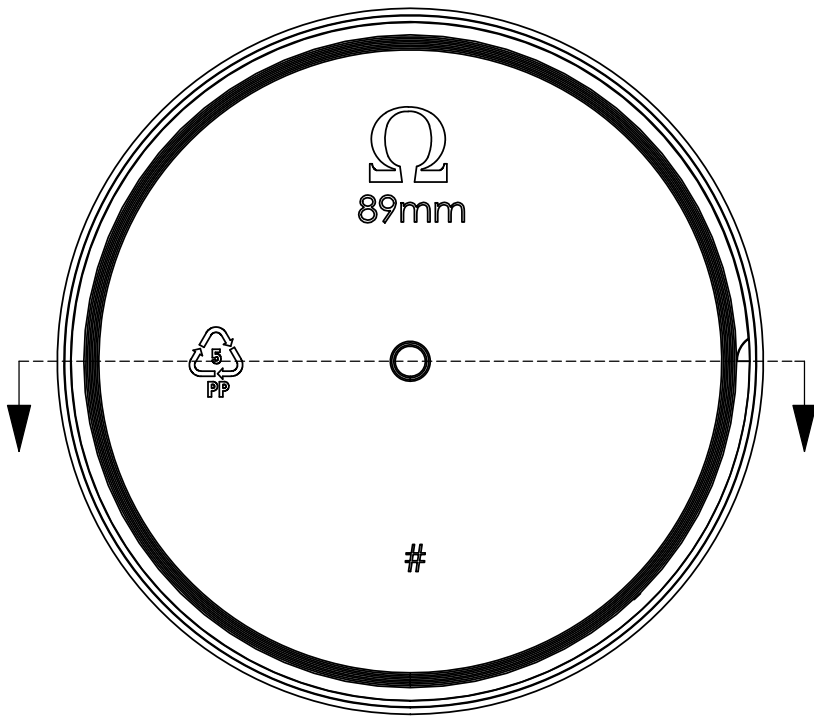




- Notes:
1. Material: Polypropylene (PP)
  2. Weight: Approx 12 grams
  3. Thread: 5 TPI
  4. Omega Part # 5375



DIMENSION	TOLERANCE
.00	.015
.000	.010



15210 Desman Rd.  
La Mirada, CA 90638  
(714) 670-6400  
omegapkg.com

PROPRIETARY AND CONFIDENTIAL  
THE INFORMATION CONTAINED  
IN THIS DRAWING IS THE SOLE  
PROPERTY OF OMEGA PKG.  
ANY REPRODUCTION IN PART OR  
AS A WHOLE WITHOUT THE  
WRITTEN PERMISSION OF OMEGA  
PACKAGING IS PROHIBITED.

REVISION	DATE
JSO	3/8/2013
IR	4/11/2013

89mm Ribbed Cap		DWG. NO.	5375-89-Rib	SCALE	1:1