

0.735

Ø 4.925

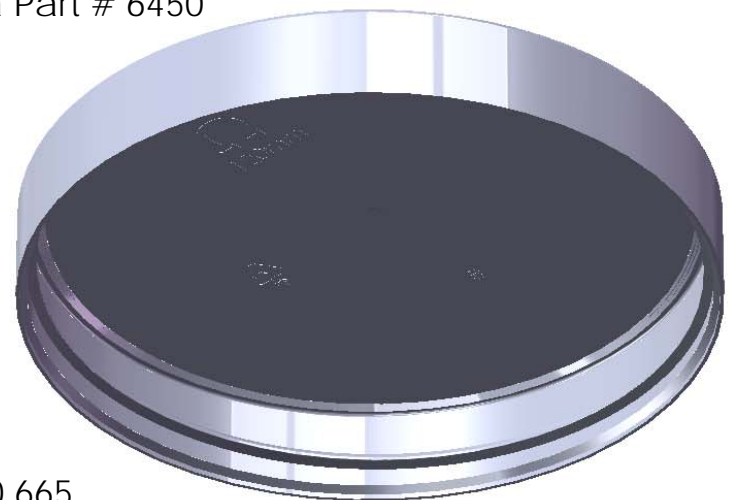
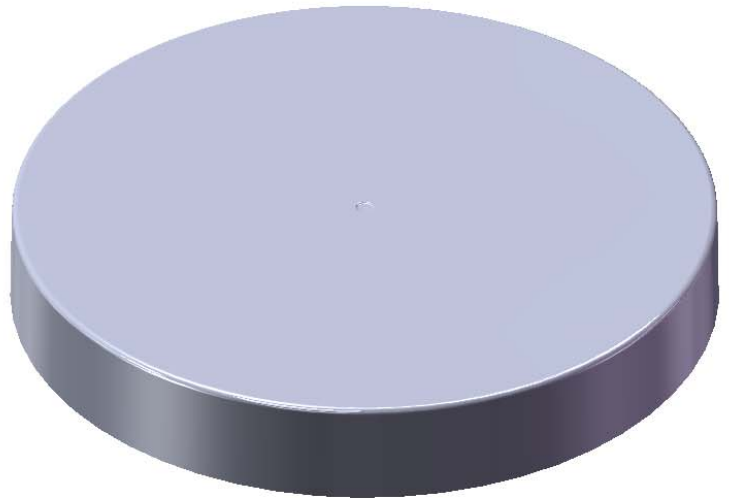
Ω
120mm



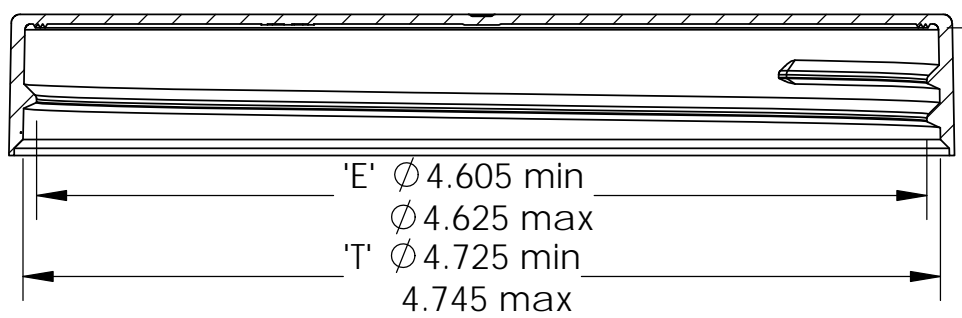
#

- Notes:
1. Material: Polypropylene (PP)
 2. Weight: Approx 26 grams
 3. Thread: 5 TPI
 4. Omega Part # 6450

Isometric Views
(not to scale)



'H' 0.665



'E' Ø 4.605 min
Ø 4.625 max
'T' Ø 4.725 min
4.745 max

DIMENSION	TOLERANCE
.00	.015
.000	.010

PROPRIETARY AND CONFIDENTIAL
THE INFORMATION CONTAINED
IN THIS DRAWING IS THE SOLE
PROPERTY OF OMEGA PKG.
ANY REPRODUCTION IN PART OR
AS A WHOLE WITHOUT THE
WRITTEN PERMISSION OF OMEGA
PACKAGING IS PROHIBITED.



15210 Desman Rd.
La Mirada, CA 90638
(714) 670-6400
omegapkg.com

REVISION	DATE

120mm Smooth
Cap

LAST	DATE	DWG. NO.	SCALE
IR	3/10/2016	6450-120-Smooth	1:1