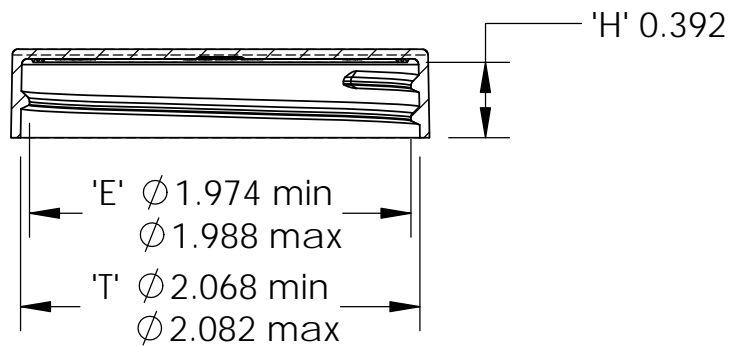
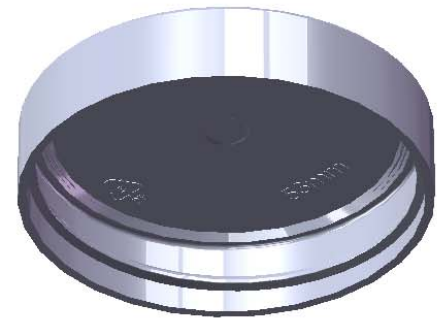


- Notes:
1. Material: Polypropylene (PP)
 2. Weight: Approx 5 grams
 3. Thread: 6 TPI
 4. Omega Part # 7150



DIMENSION	TOLERANCE
.00	.015
.000	.010



15210 Desman Rd.
La Mirada, CA 90638
(714) 670-6400
omegapkg.com

PROPRIETARY AND CONFIDENTIAL
THE INFORMATION CONTAINED
IN THIS DRAWING IS THE SOLE
PROPERTY OF OMEGA PKG.
ANY REPRODUCTION IN PART OR
AS A WHOLE WITHOUT THE
WRITTEN PERMISSION OF OMEGA
PACKAGING IS PROHIBITED.

REVISION	DATE
LAST IR	DATE 5/02/2014

53mm Smooth Cap		DWG. NO.	SCALE
		7150-53-Smooth	1:1