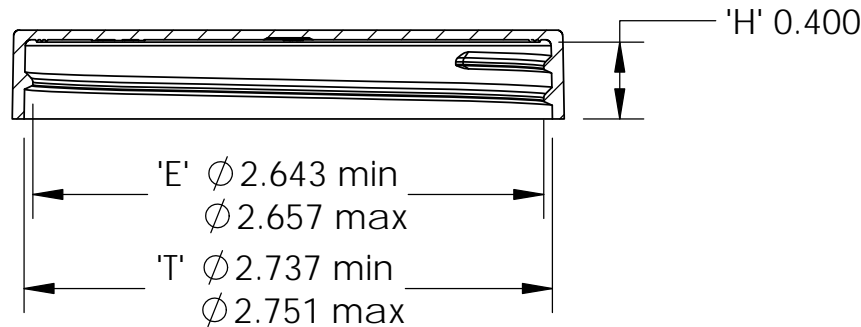
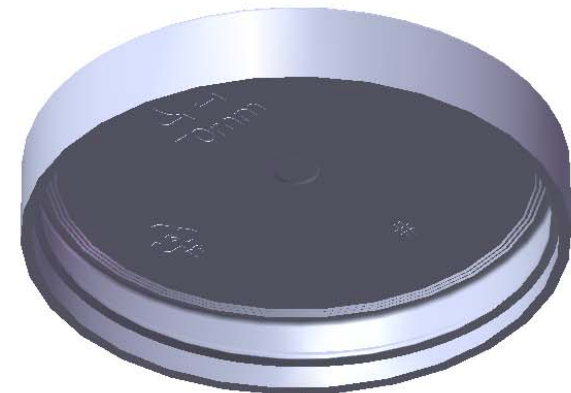


- Notes:
1. Material: Polypropylene (PP)
 2. Weight: Approx 9 grams
 3. Thread: 6 TPI
 4. Printable area on top: \varnothing 2.38" circle
 5. Omega Part # 7225



DIMENSION	TOLERANCE
.00	.015
.000	.010



15210 Desman Rd.
La Mirada, CA 90638
(714) 670-6400
omegapkg.com

PROPRIETARY AND CONFIDENTIAL

THE INFORMATION CONTAINED IN THIS DRAWING IS THE SOLE PROPERTY OF OMEGA PKG. ANY REPRODUCTION IN PART OR AS A WHOLE WITHOUT THE WRITTEN PERMISSION OF OMEGA PACKAGING IS PROHIBITED.

REVISION	DATE
IR	5/09/2013
LAST JSO	DATE 3/6/2017

70mm Smooth Cap		DWG. NO.	SCALE
		7225-70-Smooth	1:1