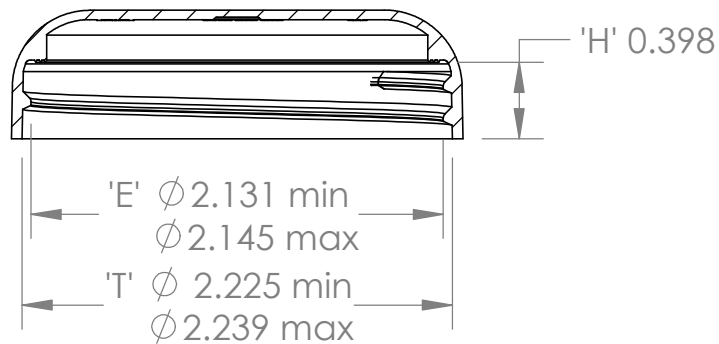


Notes:

1. Material: Polypropylene (PP)
2. Weight: Approx 7 grams
3. Thread: 6 TPI
4. Omega Part # 8175
5. Max print area on top: ϕ 1.35" circle



DIMENSION	TOLERANCE
.00	.015
.000	.010



15210 Desman Rd.
La Mirada, CA 90638
(714) 670-6400
omegapkg.com

PROPRIETARY AND CONFIDENTIAL
THE INFORMATION CONTAINED
IN THIS DRAWING IS THE SOLE
PROPERTY OF OMEGA PKG.
ANY REPRODUCTION IN PART OR
AS A WHOLE WITHOUT THE
WRITTEN PERMISSION OF OMEGA
PACKAGING IS PROHIBITED.

REVISION	DATE
IR	6/07/2013
LAST JO	DATE 9/12/2018

58mm Dome Cap	
DWG. NO.	8175-58-Dome
SCALE	1:1