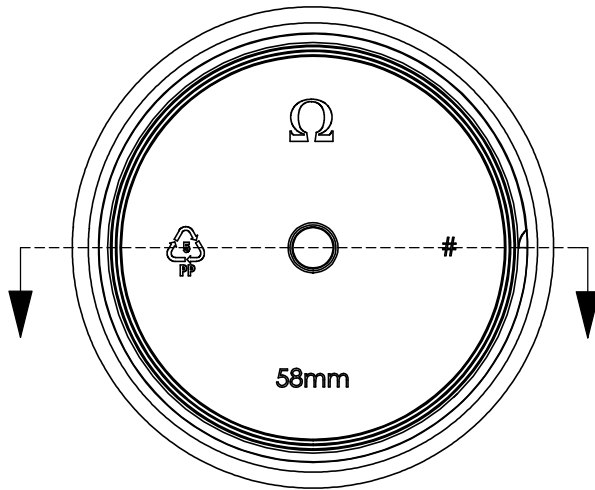
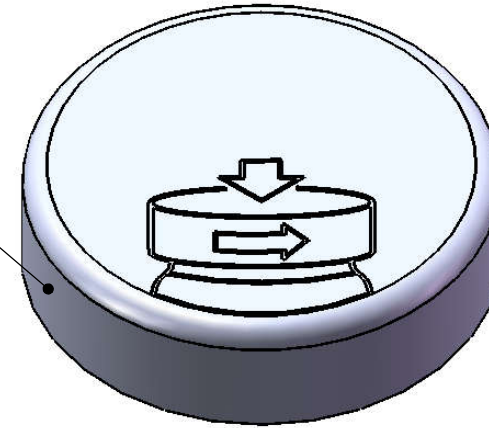
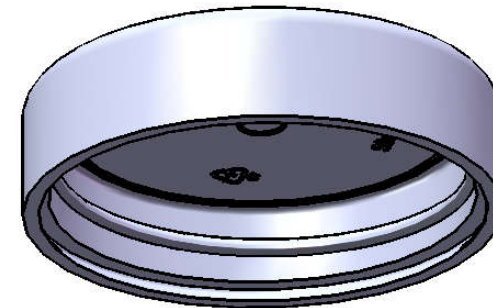


matte smooth top and sides



Notes:

1. Material: Polypropylene (PP)
2. Weight: Approx 13 grams (2-piece assembly)
3. Thread: 6 TPI, 58mm/400 finish
4. Omega Part # 9835



Proper function of Child-Resistant / Senior-Friendly feature is dependent on various factors including application torque, container material/type, and liner material. Customer must verify particular requirements with Omega before use.

DIMENSION	TOLERANCE
.00	.015
.000	.010



15210 Desman Rd.  
La Mirada, CA 90638  
(714) 670-6400  
omegapkg.com

**PROPRIETARY AND CONFIDENTIAL**  
THE INFORMATION CONTAINED IN THIS DRAWING IS THE SOLE PROPERTY OF OMEGA PKG. ANY REPRODUCTION IN PART OR AS A WHOLE WITHOUT THE WRITTEN PERMISSION OF OMEGA PACKAGING IS PROHIBITED.

REVISION	DATE
LAST	DATE
JSO	5-25-2018

58mm/400 CRC  
(Child-Resistant Cap)  
PICTORIAL

DWG. NO.	SCALE
9835-58-CRC	1:1