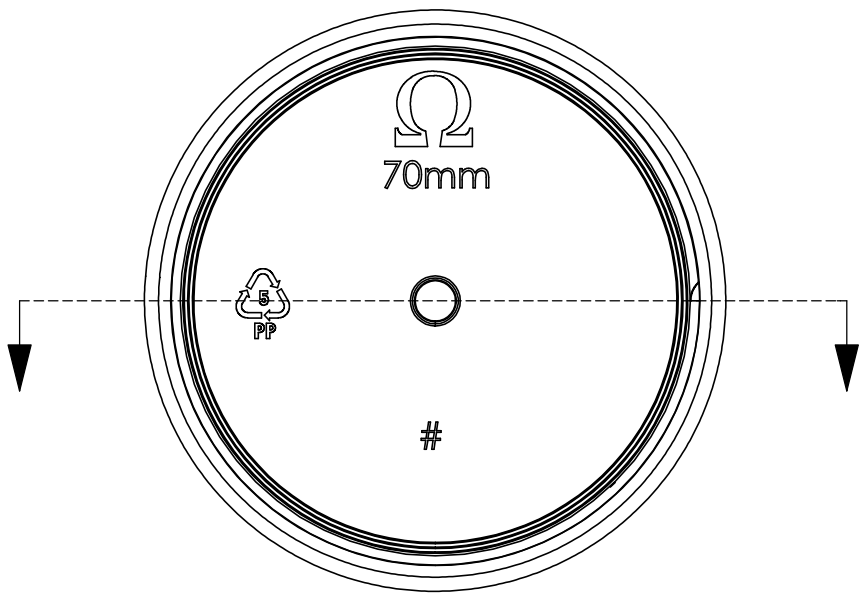
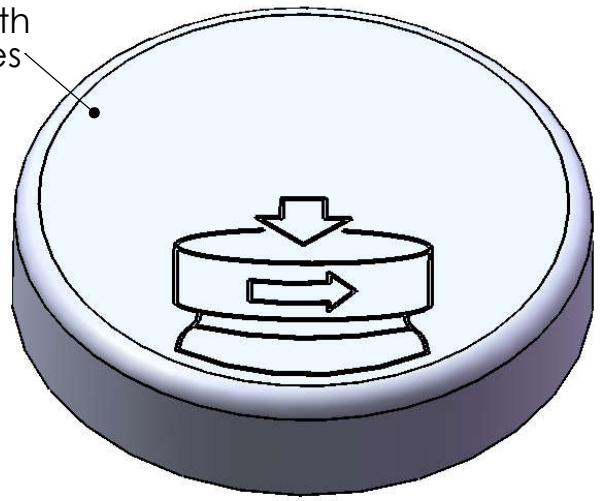
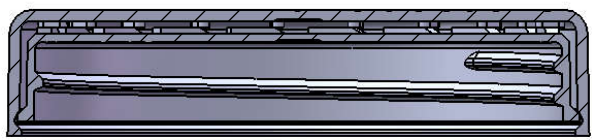
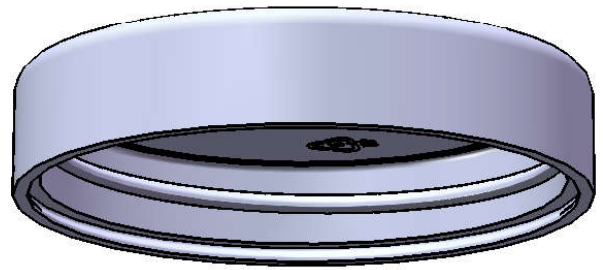


matte smooth  
top and sides



- Notes:
1. Material: Polypropylene (PP)
  2. Weight: Approx 17 grams (2-piece assembly)
  3. Thread: 6 TPI, 70mm/400 finish
  4. Omega Part # 9860



Proper function of Child-Resistant / Senior-Friendly feature is dependent on various factors including application torque, container material/type, and liner material. Customer must verify particular requirements with Omega before use.

DIMENSION	TOLERANCE
.00	.015
.000	.010



15210 Desman Rd.  
La Mirada, CA 90638  
(714) 670-6400  
omegapkg.com

**PROPRIETARY AND CONFIDENTIAL**  
THE INFORMATION CONTAINED IN THIS DRAWING IS THE SOLE PROPERTY OF OMEGA PKG. ANY REPRODUCTION IN PART OR AS A WHOLE WITHOUT THE WRITTEN PERMISSION OF OMEGA PACKAGING IS PROHIBITED.

REVISION	DATE

70mm/400  
Pictorial CRC  
(Child-Resistant Cap)

LAST	DATE	DWG. NO.	SCALE
JSO	12-8-2018	9860-70-pictCRC	1:1